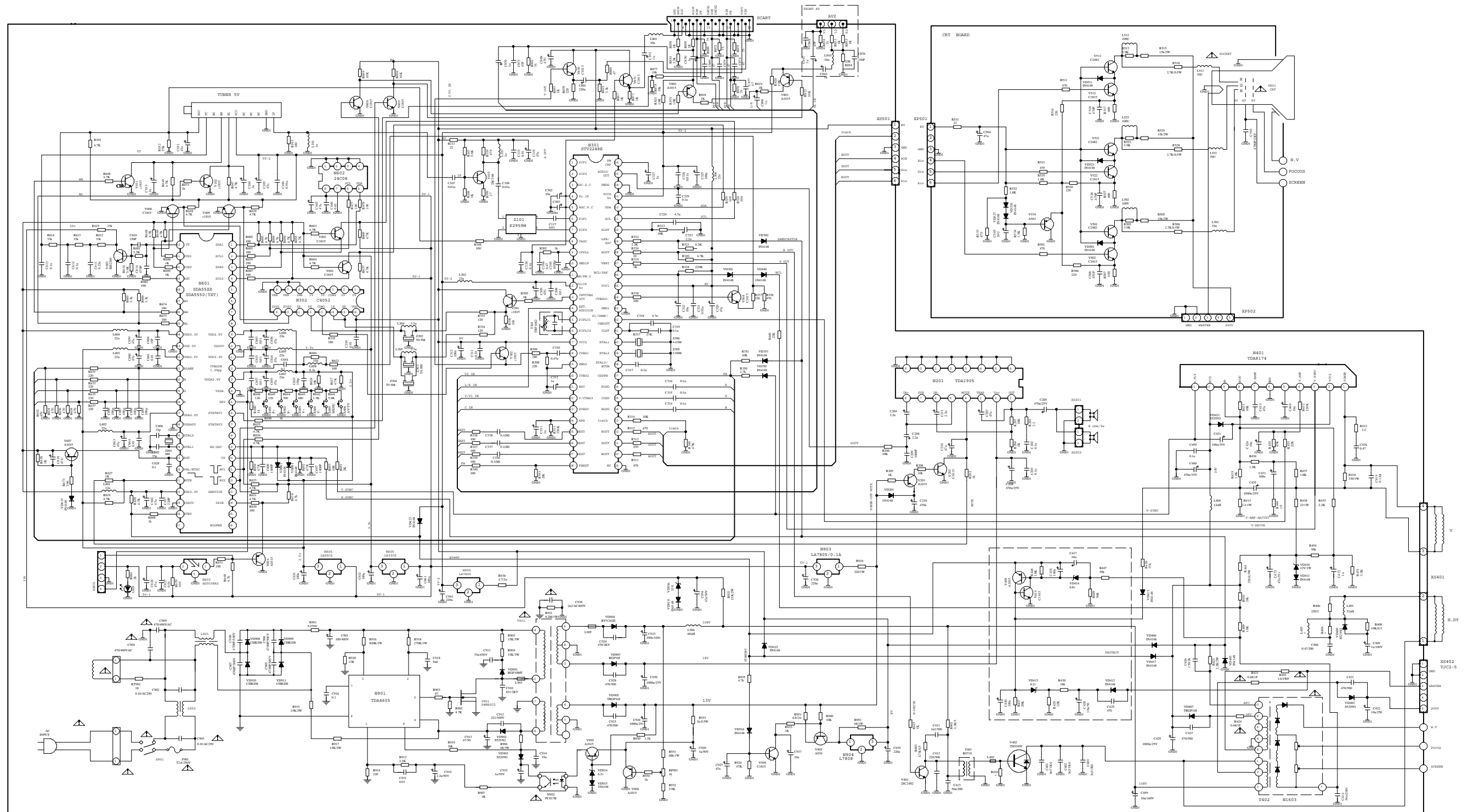


14" 21" AXT SERIES COLOUR TV BASIC CIRCUIT DIAGRAM(SCART)

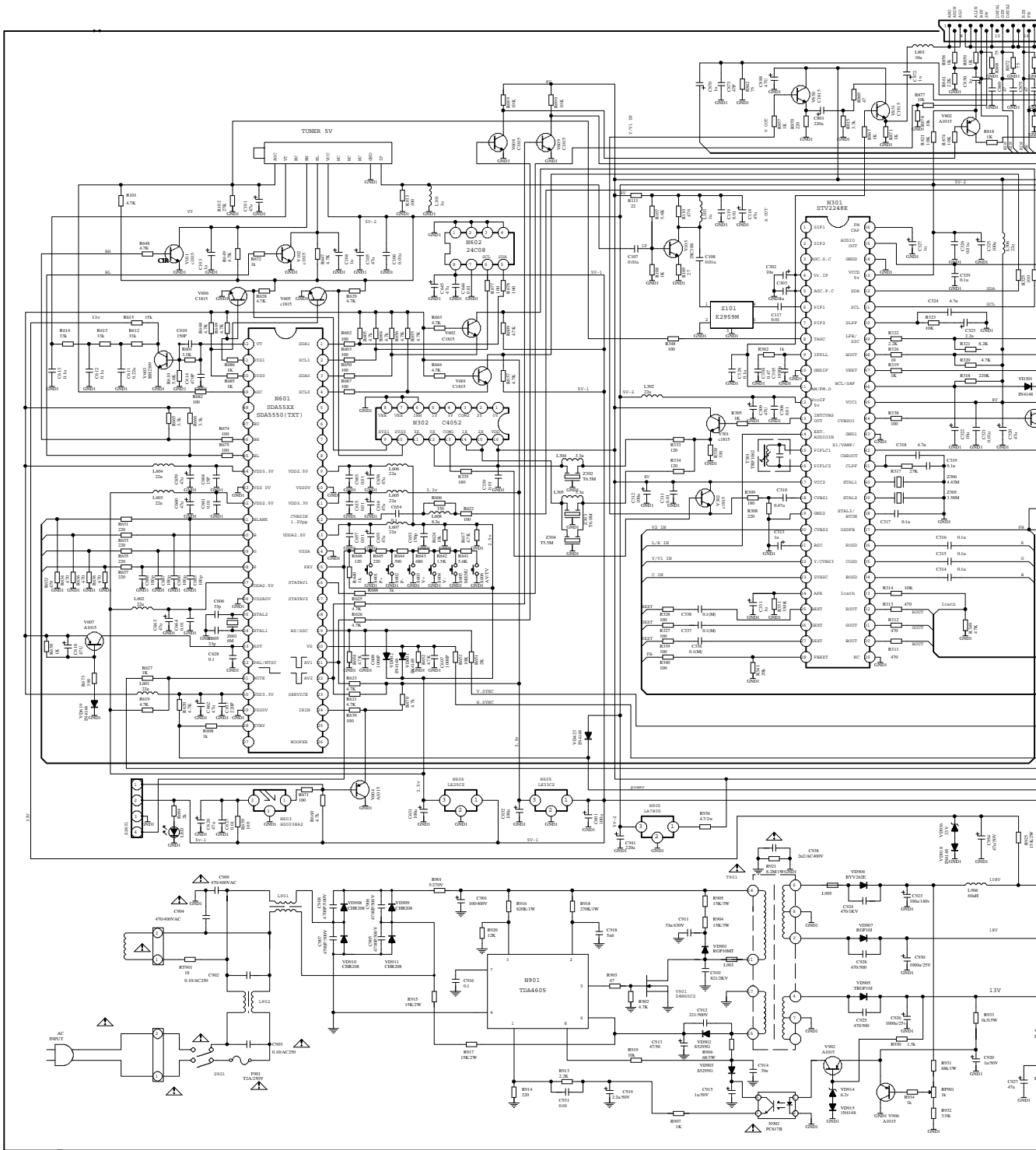


41002644

1. To ensure product's safety, please replace the component with Δ symbol with the same model specification, as these components are important for product's safety.
2. Circuit are subject to change without notice.

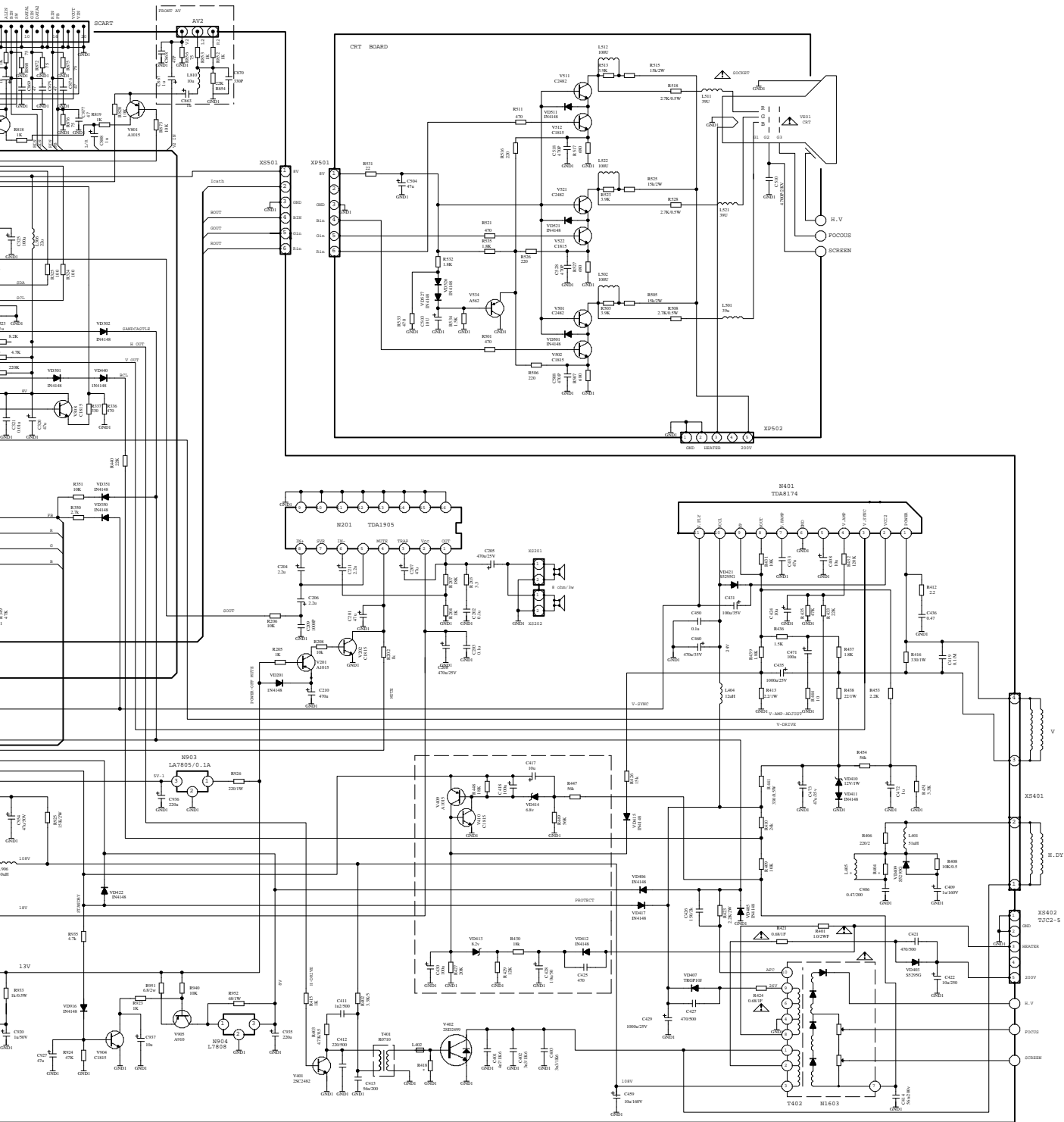
REV	DATE	BY	CHK
01			
02			
03			

14" 21" AXT SERIES COLOUR



41002644

LOUR TV BASIC CIRCUIT DIAGRAM(SCART)



1. To ensure product's safety, please replace the component with Δ symbol with the same model specification, as these components are important for product's safety.
2. Circuit are subject to change without notice.

Rev	Number	Revision
01	001	Initial
02	002	Change of
03	003	Change of